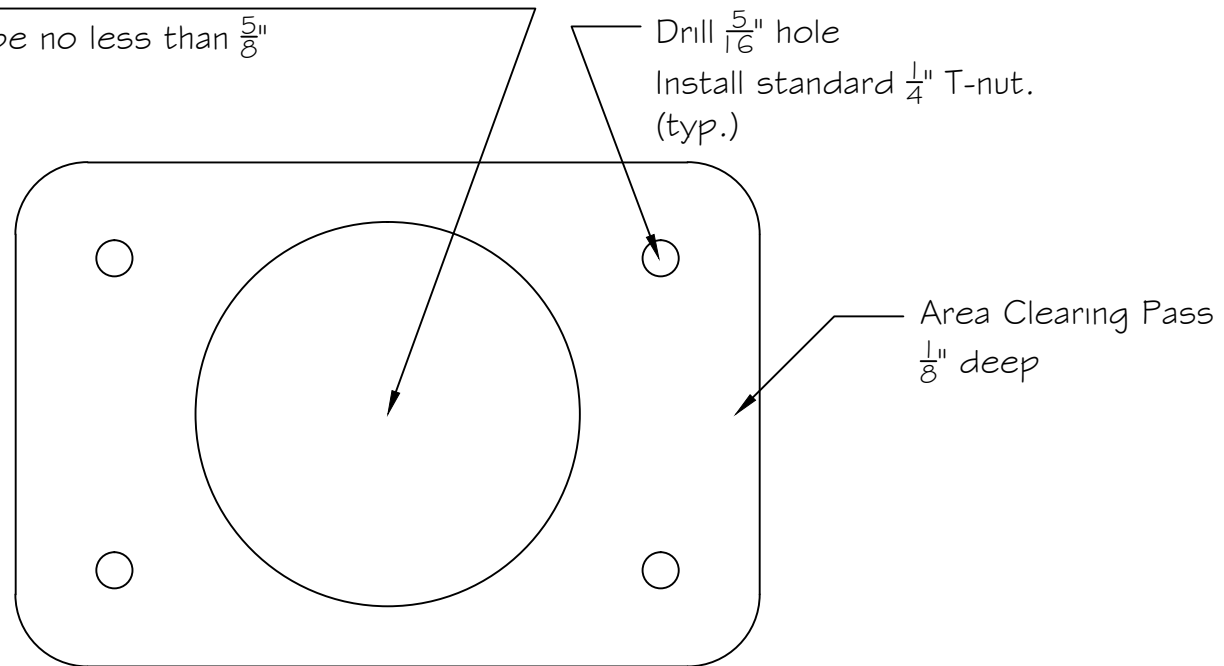


This mounting method gives a ground clearance of approximately $\frac{5}{8}$ ".

2" Forstner Bit

Finish depth of hole should be no less than $\frac{5}{8}$ "



NOTE: Material is presumed $\frac{3}{4}$ " thick. The depth of the hole drilled by the Forstner bit will remove all structural integrity in the remaining layers of material above the hole. It is presumed and recommended that there will be a surfacing layer (i.e. Masonite or MDF) to cover and distribute any weight in that area.

WARNING: If you are using this template on a computer controlled router, please review all settings and tolerances to ensure accuracy and safety before beginning. Also note, depth of hole from Forstner bit is dimensioned to bottom of cleared area NOT to the tip of the bit.