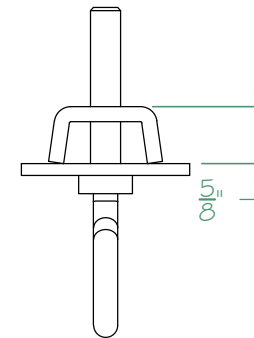
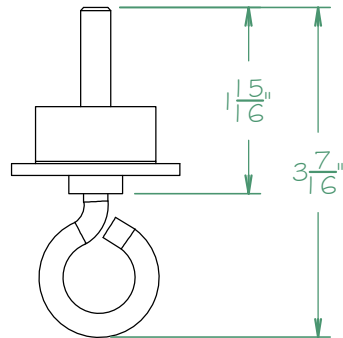
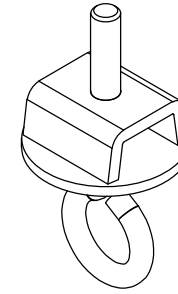
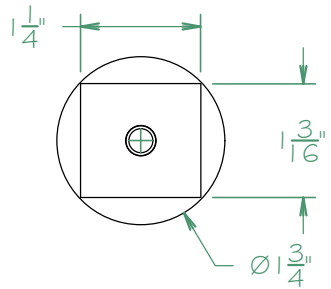


THIS DRAWING HAS BEEN PREPARED AS A SERVICE TO OUR CUSTOMER AND IS INTENDED ONLY TO BE SUGGESTIVE IN NATURE AND IS NOT TO BE USED AS AN ACTUAL INSTALLATION DRAWING. PREVAILING JOB CONDITIONS AND ACCEPTED PRACTICES MUST BE TAKEN INTO ACCOUNT WHEN THE EQUIPMENT IS INSTALLED.



PRODUCT: Track ADC 1709 End Stop and 1709(Black)

PRODUCT#: TR170038 - TR170039

SCALE: 6"=1'-0"

DATE: 01/04/2018

 **ROSE BRAND**
PO BOX 1536 SECAUCUS, NJ 07096
800-223-1624 rosebrand.com