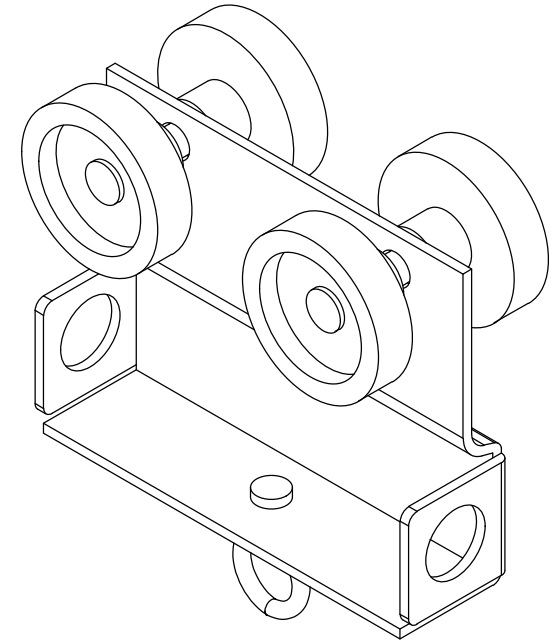
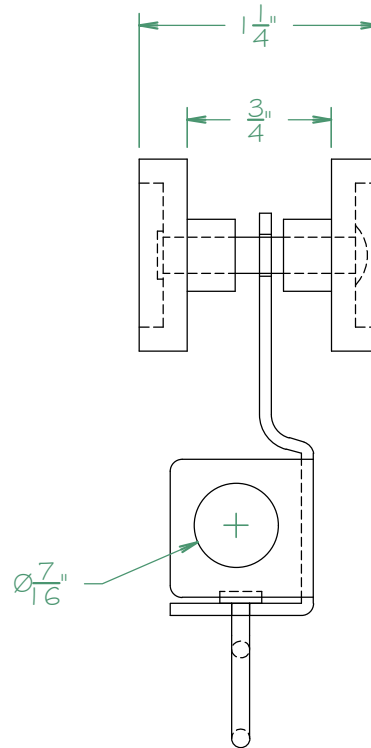
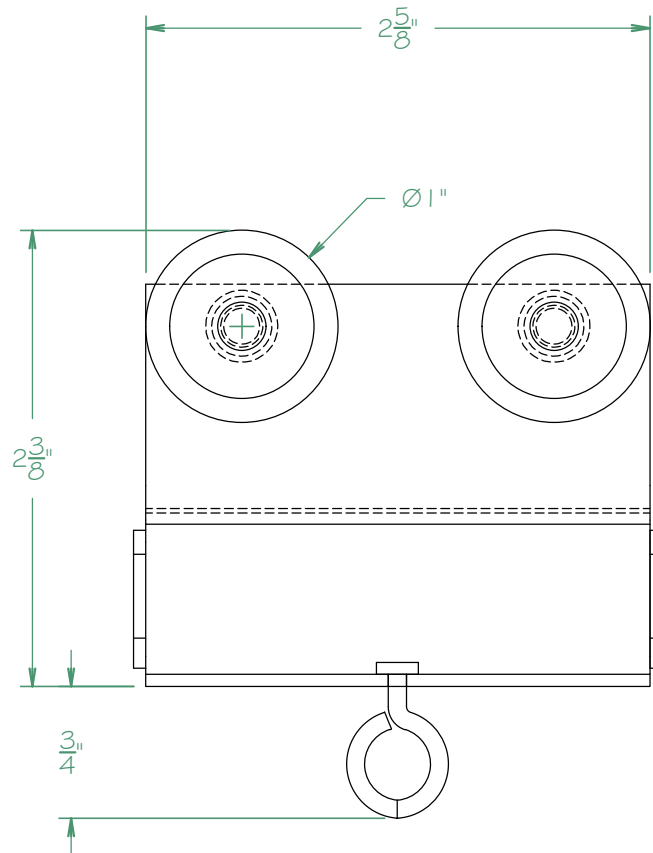


THIS DRAWING HAS BEEN PREPARED AS A SERVICE TO OUR CUSTOMER AND IS INTENDED ONLY TO BE SUGGESTIVE IN NATURE AND IS NOT TO BE USED AS AN ACTUAL INSTALLATION DRAWING. PREVAILING JOB CONDITIONS AND ACCEPTED PRACTICES MUST BE TAKEN INTO ACCOUNT WHEN THE EQUIPMENT IS INSTALLED.



PRODUCT: 1702 Master Carrier solid polyethylene wheels

PRODUCT#: TR170024 AND TR170025 (BLACK)

SCALE: FULL SCALE

DATE: 12/22/2020

 **ROSE BRAND**  
PO BOX 1536 SECAUCUS, NJ 07096  
800-223-1624 rosebrand.com