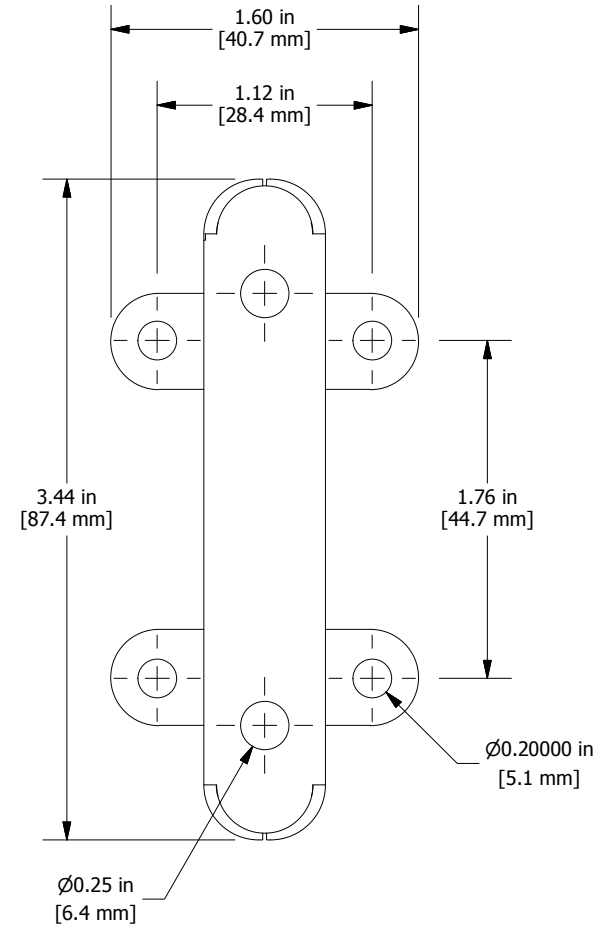
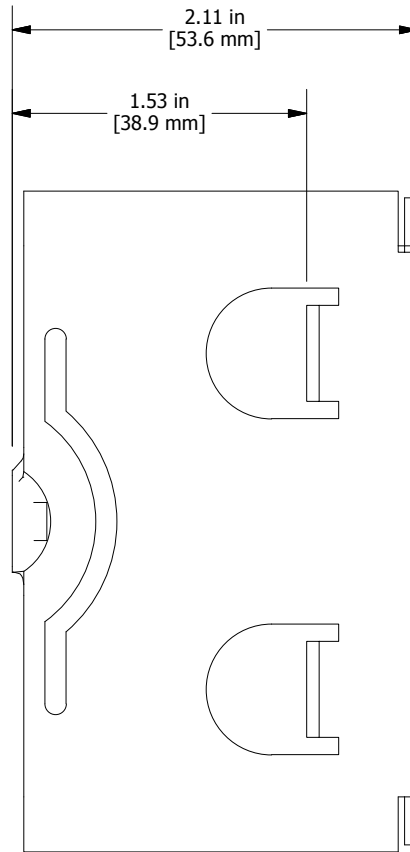
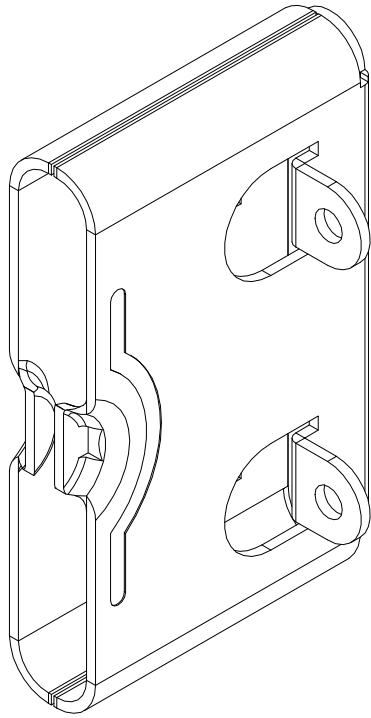


2

1



B

B

A

A

This drawing represents visual concepts and construction suggestions only. Please review construction methods and material details for suitability. Final approval is required before construction can begin. Please contact Rose Brand to discuss alterations to the project.



PO BOX 1536 SECAUCUS, NJ 07096  
800-223-1624 RoseBrand.com

All Dimensions in Inches (in) unless stated otherwise.

**Tolerances:**

X = ±0.2      XX = ± 1/16"  
.0X = ±0.01      < = ± 1/2"  
.00X = ±0.005  
.000X = ±0.0005

Unless stated otherwise.

CLIENT ROSE BRAND		PROJECT REFERENCE FILE	
TITLE DEEP TAB PANEL LOCK: FEMALE			
DWG NO. HWPA0007	REV A	DATE 4/25/2016	SIZE A
SCALE FULL	DRAWN BY DG	DATE 4/25/2016	Sheet 1 of 2

2

1