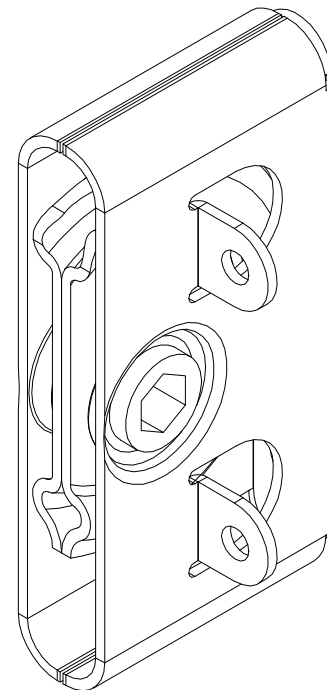
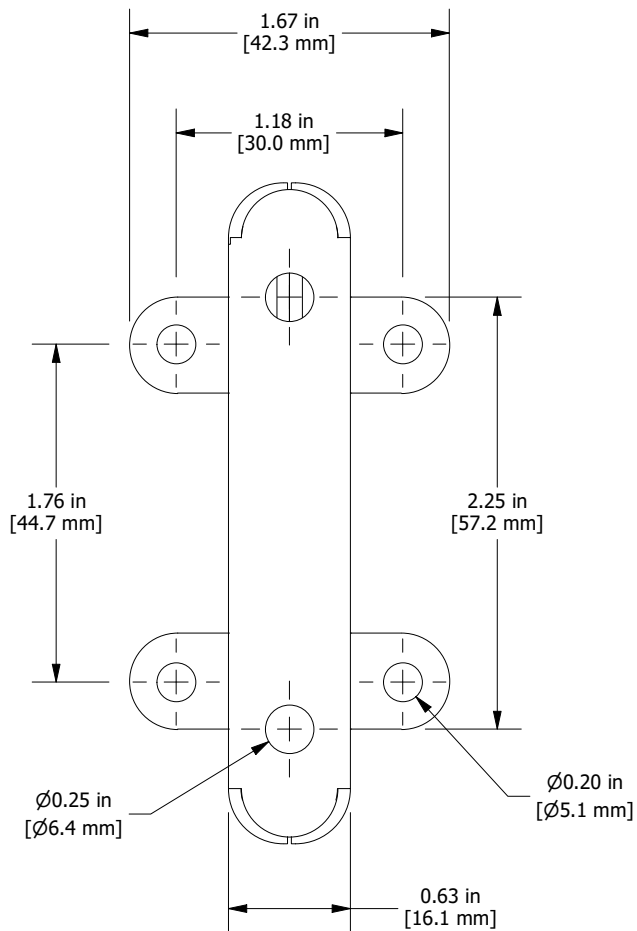
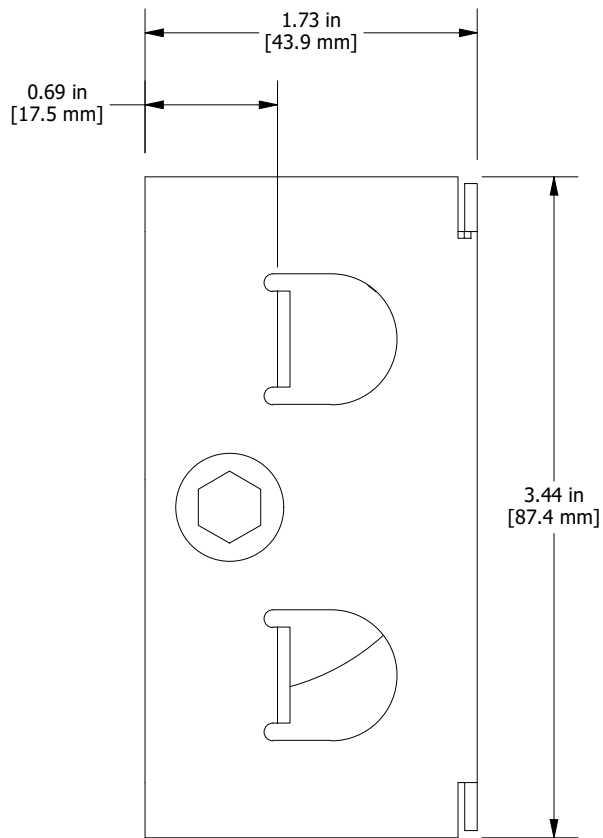


2

1

B

B



A

A

This drawing represents visual concepts and construction suggestions only. Please review construction methods and material details for suitability. Final approval is required before construction can begin. Please contact Rose Brand to discuss alterations to the project.



ROSE BRAND

PO BOX 1536 SECAUCUS, NJ 07096
800-223-1624 RoseBrand.com

All Dimensions in Inches (in) unless stated otherwise.

Tolerances:

X = ±0.2 X/X = ± 1/16"
.0X = ±0.01 < = ± 1/2"
.00X = ±0.005
.000X = ±0.0005

Unless stated otherwise.

CLIENT ROSE BRAND		PROJECT REFERENCE FILE	
TITLE SHALLOW TAB PANEL LOCK MALE			
DWG NO. HWP0002	REV	SIZE A	
SCALE FULL	DRAWN BY DG	DATE 3/13/2019	Sheet 1 of 1

2

1

