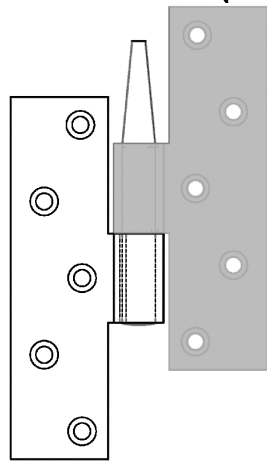


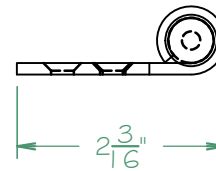
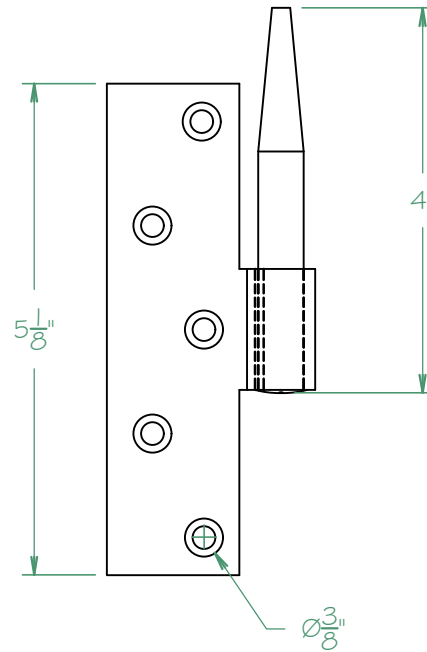
OVERVIEW

HWHI0020



HWHI0018

NTS



PRODUCT: SLIPH HING - LEFT PIN

PRODUCT#: HWHI0018

SCALE: 6" = 1'-0"

DATE: 12/12/2017

 **ROSE BRAND**
PO BOX 1536 SECAUCUS, NJ 07096
800-223-1624 rosebrand.com