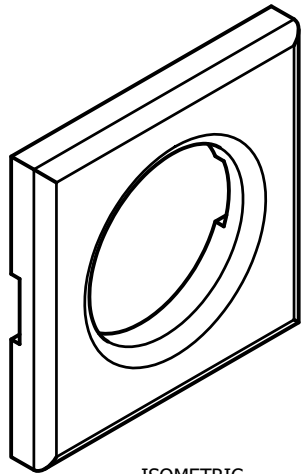
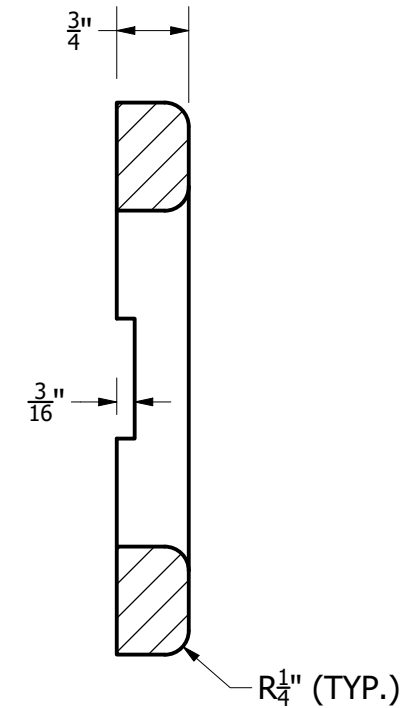
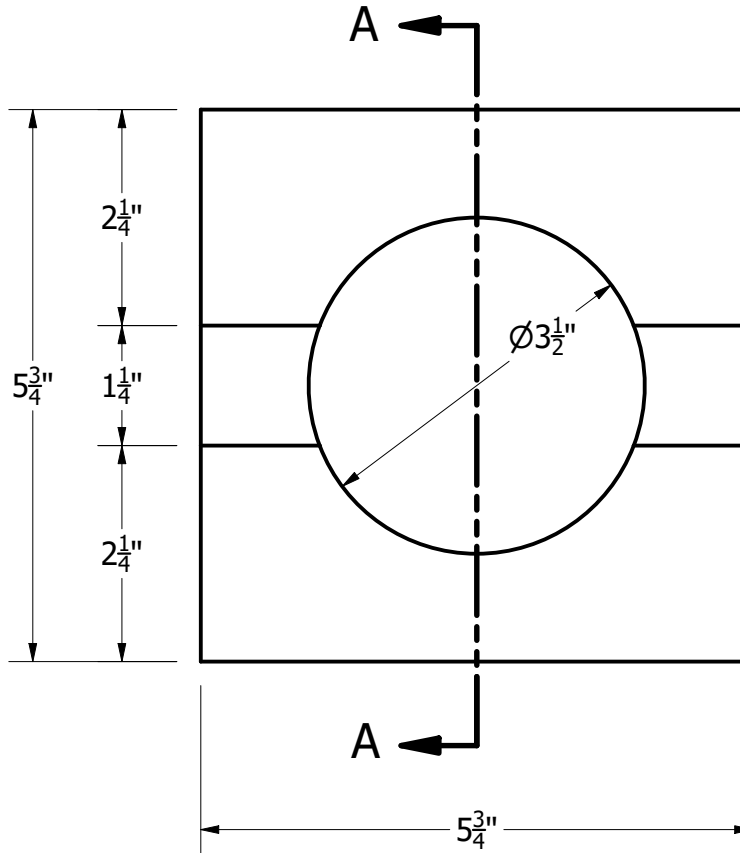


| REVISION HISTORY | | | |
|------------------|---------------|-----------|----------|
| REV | DESCRIPTION | DATE | APPROVED |
| A | SECTION ADDED | 4/15/2021 | DJG |



ISOMETRIC
SCALE: 4" = 1'-0"



SECTION: A-A
SCALE: 6" = 1'-0"

This drawing represents visual concepts and construction suggestions only. Please review construction methods and material details for suitability. Final approval is required before construction can begin. Please contact Rose Brand to discuss alterations to the project.



PO BOX 1536 SECAUCUS, NJ 07096
800-223-1624 RoseBrand.com

All Dimensions in Inches (in) unless stated otherwise.

Tolerances:

| | | | |
|-------|-----------|-----|-----------|
| .X | = ±0.2 | X/X | = ± 1/16" |
| .0X | = ±0.01 | < | = ± 1/2° |
| .00X | = ±0.005 | | |
| .000X | = ±0.0005 | | |

Unless stated otherwise.

| | | | |
|-----------------------|---------------------------------|----------------------------------|--------------|
| CLIENT Rose Brand | | PROJECT Product Drawing | |
| TITLE Caster Donut | | | |
| SIZE A | DWG NO CAST0049-Caster Donut | PART NO CAST0049-Caster Donut | REV |
| SCALE 6" = 1'-0" | DRAWN BY DJG | DATE 4/15/2021 | Sheet 1 of 1 |