

The Da-Lite Difference.




Instruction Book for HEAVY DUTY FAST-FOLD® DELUXE FRAME



DA-LITE SCREEN COMPANY, INC.
3100 North Detroit Street
Post Office Box 137
Warsaw, Indiana 46581-0137
www.da-lite.com
e-mail: info@da-lite.com

Distributed by

 **ROSE BRAND** NY (800) 223 - 1624 CA (800) 360 - 5056 www.rosebrand.com

INSTRUCTIONS

1. Unfold the 4 sections of Heavy Duty Fast-Fold® Deluxe frame, lock all latches and lay face up on the floor. See figure 1.

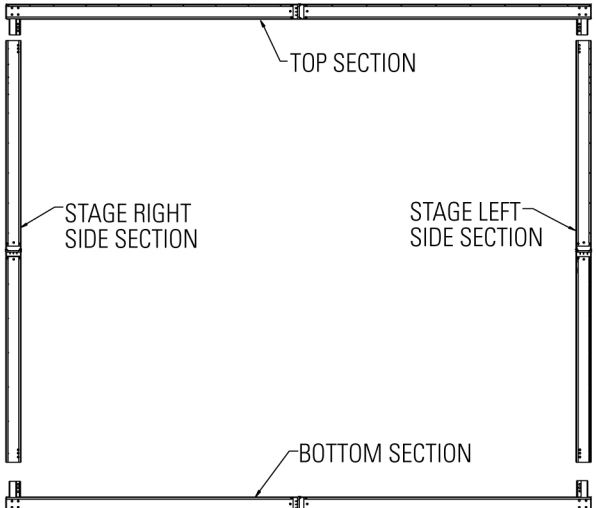


FIGURE 1

2. Attach top and bottom sections to side sections and tighten the Speedy Cranks securely. See figures 2 and 3. Mount Back Braces to the top and bottom sections (for screens 22' and wider) and tighten the winghead screws securely.

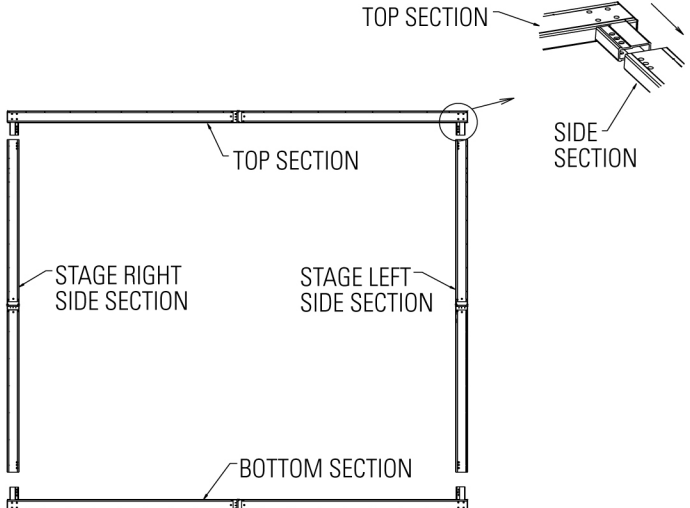


FIGURE 2

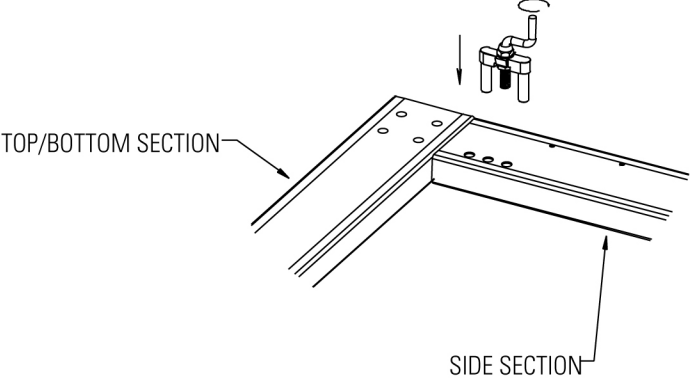


FIGURE 3

INSTRUCTIONS

3. Attach Heavy Duty Fast-Fold® Deluxe legs to side frame members at desired height, using Speedy Cranks. Note color tape on legs and frame. When matched, the screen height will be 44" off the floor. If legs are too high, top section or sections may be folded over. Unfold the frame feet (for screens 17' and wider) and leg feet. See figure 4. Do not tighten Speedy Cranks until all are started, then tighten.
4. Lay the frame on the floor.
5. Match top of screen surface (labeled TOP) with top of frame.
6. Snap all four corners.
7. Starting at the bottom section, snap the center button. Continue snapping the remaining buttons.
8. Snap the top and sides in the same manner.
9. Attach Leg to each side of frame using at least 2 Speedy Cranks per leg. **NOTE: Speedy Crank at bottom of leg should be on side of leg away from screen.** Do not tighten Speedy Cranks until all are started.
10. Height Adjustment. Heavy Duty Fast-Fold® Deluxe screen height is adjustable in 6" increments either up or down. Normal screen height is 44" from bottom of frame to floor and is the standard height for use with presentation drapery accessories.
NOTE: Do not extend frame so that more than half of the frame height is above the top of the legs.
11. Raise front foot of each leg and lock corner brace.
12. With one person at each leg, raise to standing position.
NOTE: With large screens, more than 2 people may be required.
13. Lower back foot, lock corner brace and attach "A" brace from rear foot to back member of truss leg.
14. Attach anti-sway braces to legs.
15. To pack, reverse procedure. Use caution to prevent surface damage.

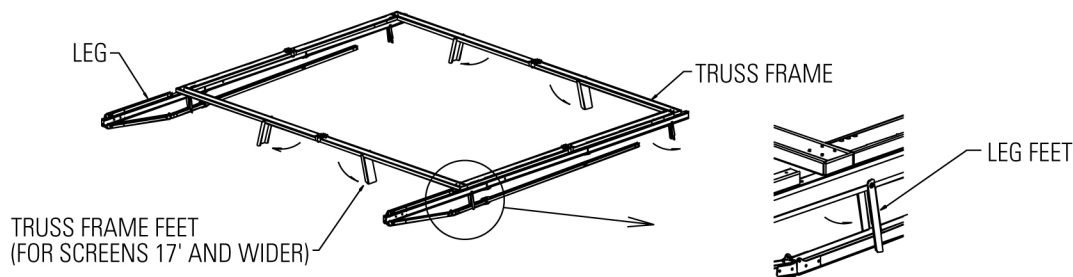


FIGURE 4

HEAVY DUTY FAST-FOLD® DELUXE FRAME CONSTRUCTION

