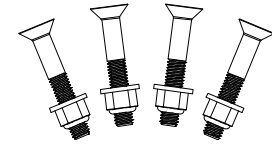
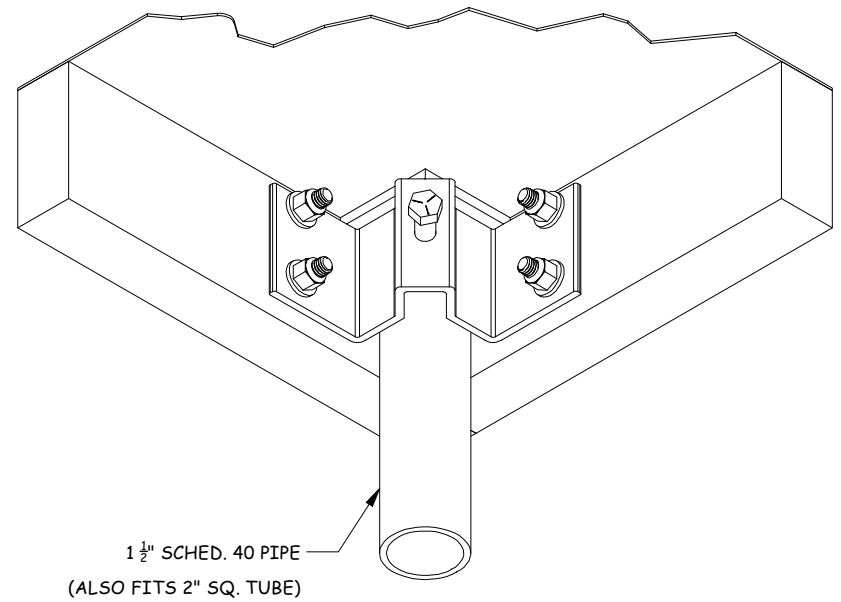
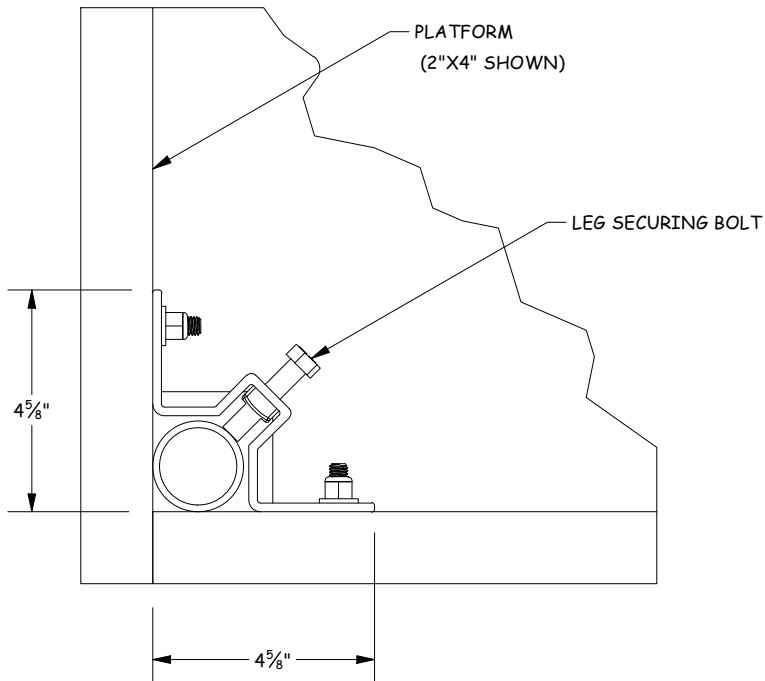


LEG-A-MATIC II
PRT# HWLE0002



LEG-A-MATIC
HARDWARE PAK
(SOLD SEPERATELY)



B

B

A

A

This drawing represents visual concepts and construction suggestions only. Please review construction methods and material details for suitability. Final approval is required before construction can begin. Please contact Rose Brand to discuss alterations to the project.



ROSE BRAND

PO BOX 1536 SECAUCUS, NJ 07096

800-223-1624 RoseBrand.com

All Dimensions in Inches (in) unless stated otherwise.

Tolerances:

X = ±0.2 X/X = ± 1/16"
.0X = ±0.01 < = ± 1/2"
.00X = ±0.005
.000X = ±0.0005

Unless stated otherwise.

CLIENT		ROSE BRAND		PROJECT		REFERENCE FILE	
TITLE							
LEG-A-MATIC II							
MATERIAL	FINISH	DWG NO		REV	SIZE		
N/A	N/A	Leg-A-Matic II		-	A		
QUANTITY	N/A	SCALE	NTS	DRAWN BY	M Young	DATE	8/26/2022
						Sheet 1 of 1	

