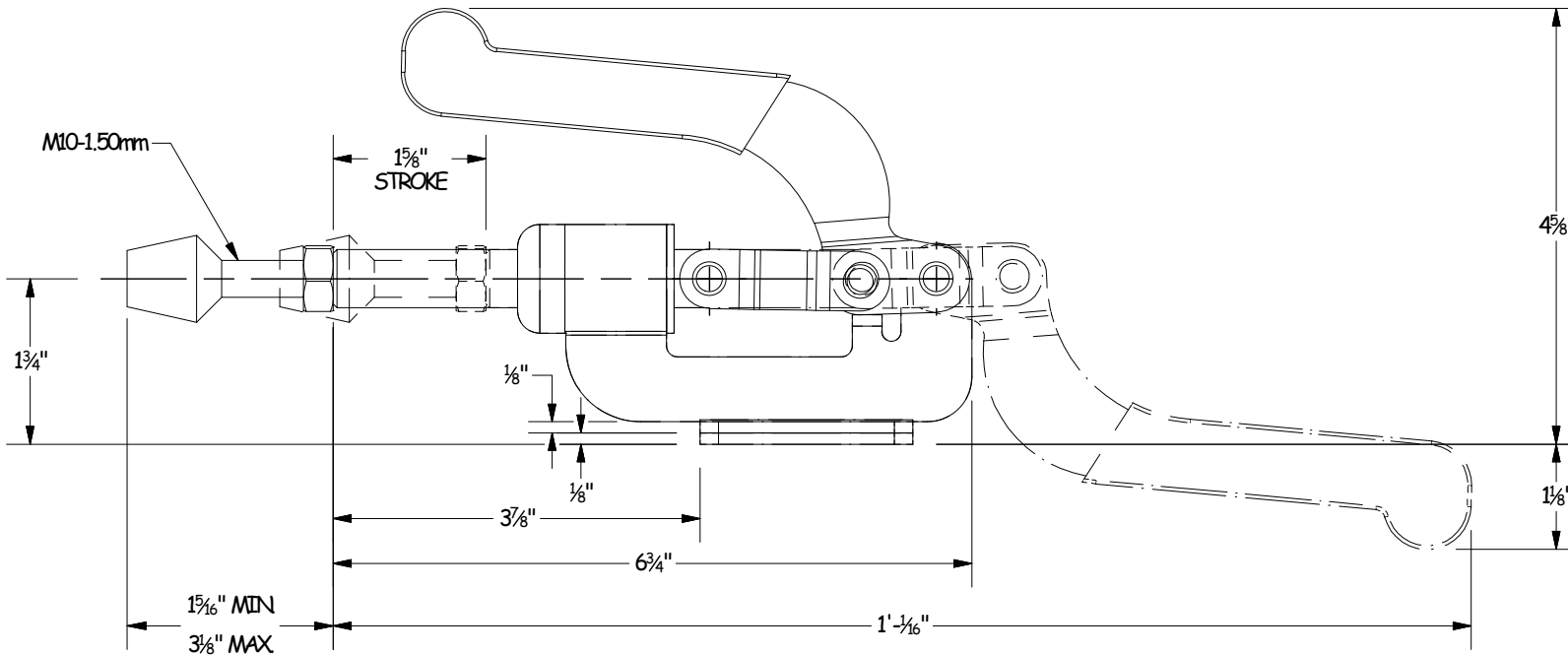
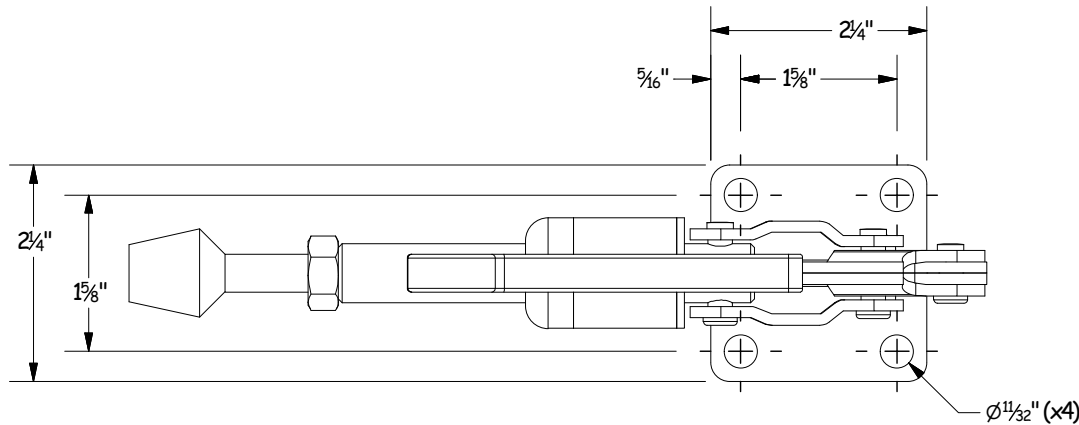


2

1



MAXIMUM WEIGHT CAPACITY: 800 LBS.

This drawing represents visual concepts and construction suggestions only. Please review construction methods and material details for suitability. Final approval is required before construction can begin. Please contact Rose Brand to discuss alterations to the project.



# ROSE BRAND

PO BOX 1536 SECAUCUS, NJ 07096  
800-223-1624 RoseBrand.com

All Dimensions in Inches (in) unless stated otherwise.

**Tolerances:**

X	= ±0.2	X/X	= ± 1/16"
.0X	= ±0.01	<	= ± 1/2°
.00X	= ±0.005		
.000X	= ±0.0005		

Unless stated otherwise.

CLIENT ROSE BRAND		PROJECT REFERENCE FILE	
TITLE HWBR0006 WAGON BRAKE (HEAVY DUTY)			
MATERIAL N/A	FINISH N/A	DWG NO HWBR0006	REV -
QUANTITY N/A	SCALE 6" = 1'-0"	DRAWN BY DG	DATE 10/30/2014
		SIZE A	Sheet 1 of 1

2

1