

6mm TUBING

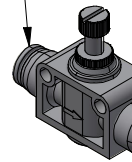
0.5" TUBING

FLOW/EXHAUST VALVE ASSEMBLY

4-WAY MANIFOLD SYSTEM



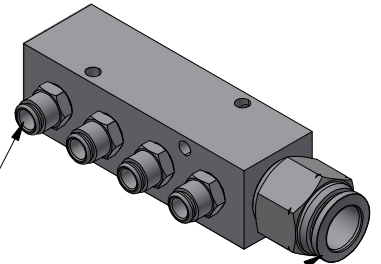
TO CASTER-
6MM PTC



SILENCED QUICK
EXHAUST VALVE

FLOW CONTROL VALVE

OUTPUT-
6MM PTC 4X

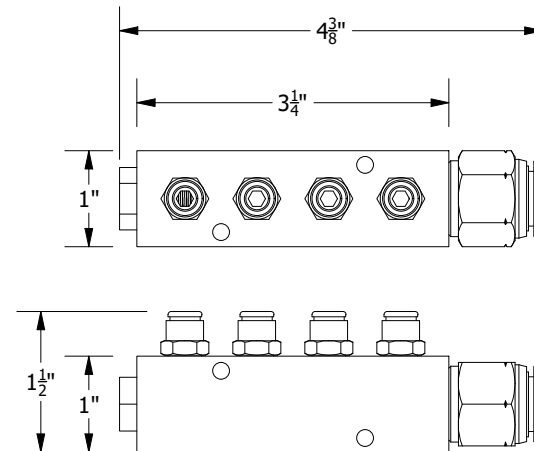
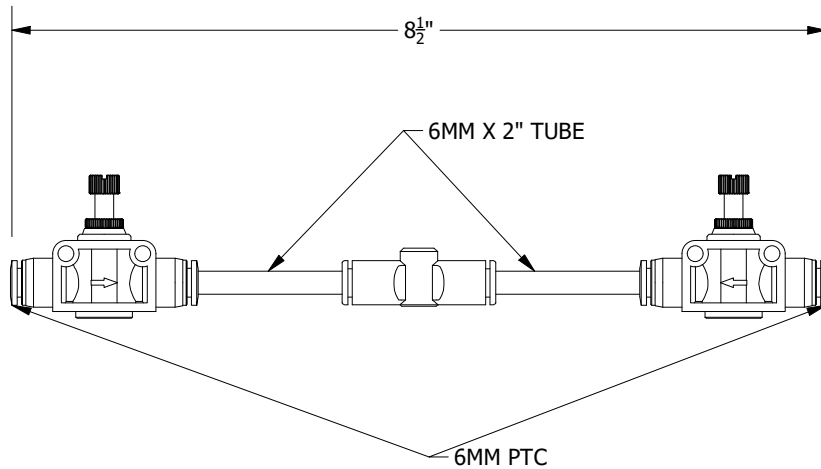


INPUT-
1/2" PTC

INPUT-
6MM PTC

NOTE: THE PLUMBING KIT INCLUDES 100FT OF 6MM TUBING. THIS IS TO RUN FROM THE PTC OUTPUT TO THE FLOW/EXHAUST VALVE ASSEMBLY, AND SUBSEQUENTLY, THE CASTERS.

NOTE: THE PLUMBING KIT INCLUDES 20FT OF 1/2" TUBING. THIS IS TO RUN FROM PTC OUTPUT ON AIR SOURCE TO PTC INPUT ON CONTROL VALVE AND FROM PTC OUTPUT ON CONTROL VALVE TO PTC INPUT ON MANIFOLD. THIS CAN ALSO BE USED FOR EXPANSION MANIFOLD KIT.



NOTE: AN ADDITIONAL CAST0118- PLUMBING KIT IS REQUIRED IN CONJUNCTION WITH THE CASTER EXPANSION KIT TO EXPAND THE SYSTEM TO 5 PLUS CASTERS.

NOTE: ACTUAL PARTS AND DIMENSIONS MAY VARY SLIGHTLY FROM THIS DRAWING.

THIS DRAWING REPRESENTS VISUAL CONCEPTS AND CONSTRUCTION SUGGESTIONS ONLY. PLEASE REVIEW CONSTRUCTION METHODS AND MATERIAL DETAILS FOR SUITABILITY. FINAL APPROVAL IS REQUIRED BEFORE CONSTRUCTION CAN BEGIN. PLEASE CONTACT ROSE BRAND TO DISCUSS ALTERATIONS TO THE PROJECT.



ROSE BRAND

PO BOX 1536 SECAUCUS, NJ 07096

800-223-1624 ROSEBRAND.COM

ALL DIMENSIONS IN INCHES (IN) UNLESS STATED OTHERWISE

TOLERANCES:

| | | | |
|--------|------------|-----|----------|
| 0.X | = ± 0.2 | X/X | = ± 1/16 |
| 0.0X | = ± 0.01 | < | = ± 1/2° |
| 0.00X | = ± 0.005 | | |
| 0.000X | = ± 0.0005 | | |

| | | | |
|---|---------|----------|-----------|
| CLIENT | PROJECT | | |
| TITLE | | | |
| CAST0118- Plumbing Kit for Pneumatic Lift Triple Swivel Casters | | | |
| SIZE | SCALE | DRAWN BY | DATE |
| A | 1 | CWO | 1/23/2023 |
| | | REV | A |