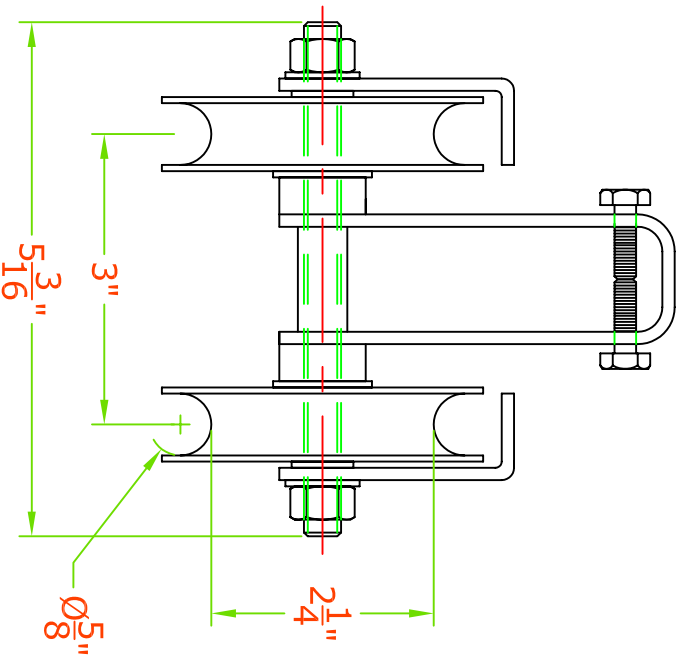
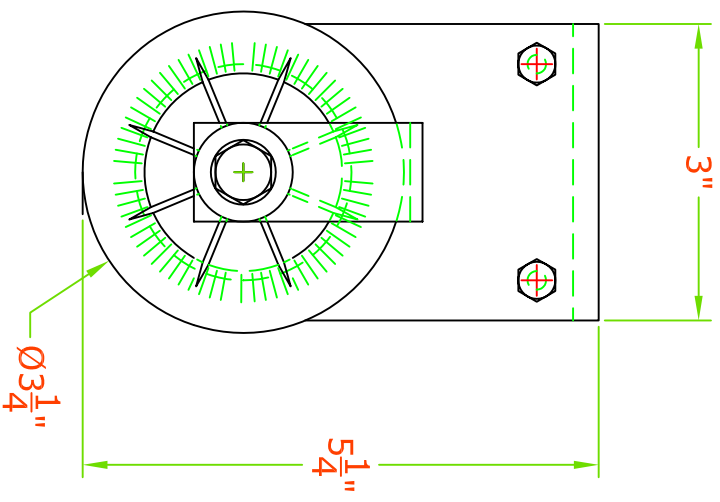


REV.

DATE:

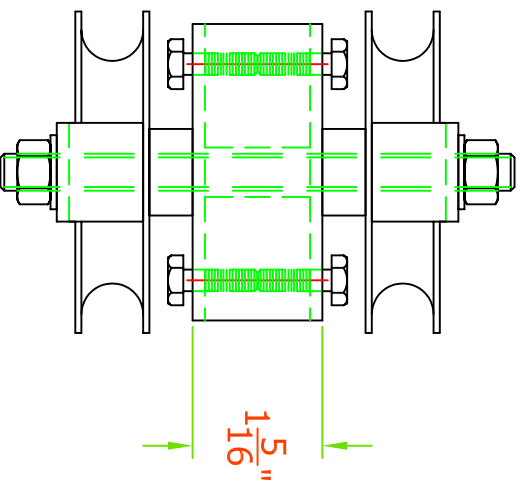
FORM NO.:



PAINTED STEEL
CONSTRUCTION

NYLON WHEELS WITH
BRONZE
SELF-LUBRICATING
BUSHINGS

USED WITH MODEL 420
STRAIGHT
(NON-CURVED) TRACK
ONLY



Automatic Devices Company
2121 S. 12TH ST. ALLENTOWN, PA 18103

THIS DRAWING HAS BEEN PREPARED AS A SERVICE TO OUR CUSTOMER AND IS INTENDED ONLY TO BE SUGGESTIVE IN NATURE AND IS NOT TO BE USED AS AN ACTUAL INSTALLATION DRAWING. PREVAILING JOB CONDITIONS AND ACCEPTED PRACTICES MUST BE TAKEN INTO ACCOUNT WHEN THE EQUIPMENT IS INSTALLED.

SIZE	DATE	SERIES
A	11/18/11	4200 TRIP-L-TRAC
DRAWN BY	APPROVED BY	DESCRIPTION
DJL		4203B LIVE END
SCALE 1/2=1	SHEET 1 OF 1	DWG NO. A-4203B-1-11