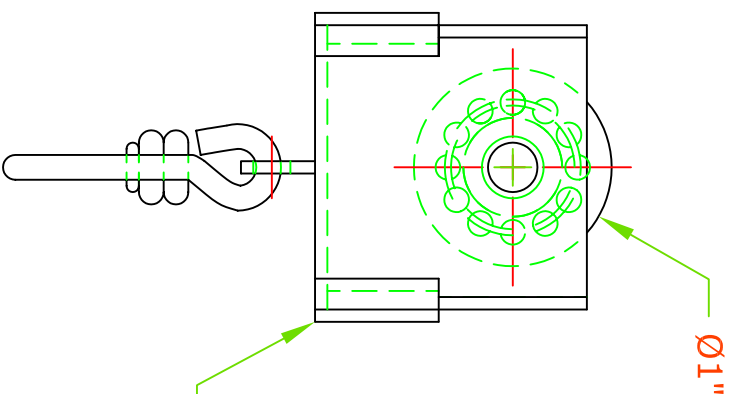
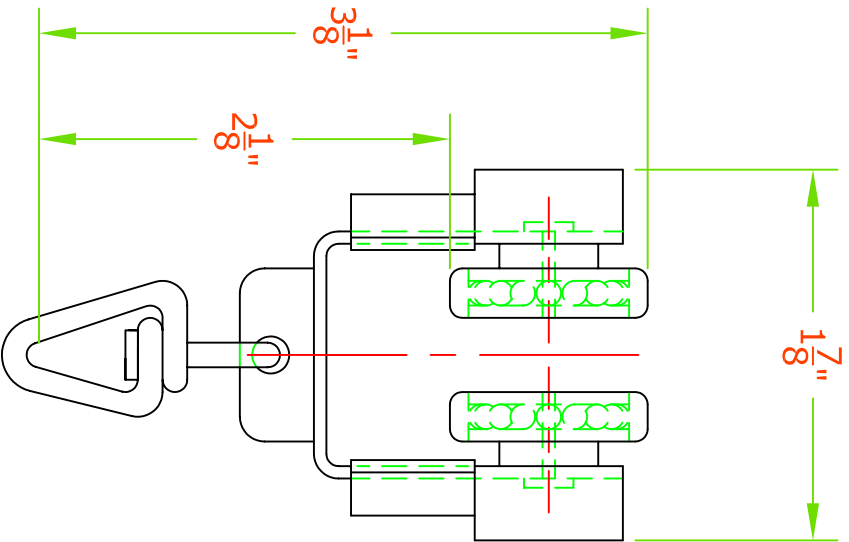


REV.

DATE:

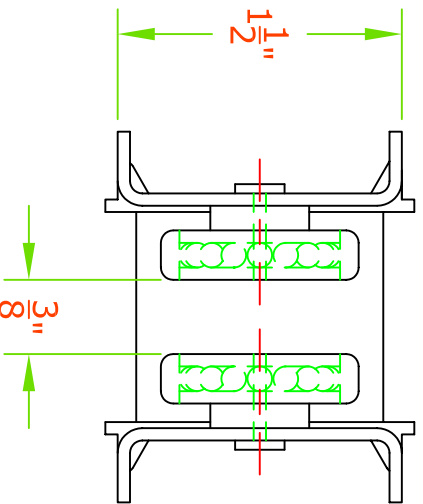


BUMPER
CLIP (2)

BODY MATERIAL: PLATED FORMED
STEEL.

RIVET AND SWIVEL: NICKEL PLATED
STEEL

WHEELS: NYLON TIERED BALL-BEARING



AUTOMATIC DEVICES COMPANY
2121 S. 12TH ST. ALLENTOWN, PA 18103

THIS DRAWING HAS BEEN PREPARED AS A SERVICE TO OUR CUSTOMER AND IS INTENDED ONLY TO BE SUGGESTIVE IN NATURE AND IS NOT TO BE USED AS AN ACTUAL INSTALLATION DRAWING. PREVAILING JOB CONDITIONS AND ACCEPTED PRACTICES MUST BE TAKEN INTO ACCOUNT WHEN THE EQUIPMENT IS INSTALLED.

SIZE DATE SERIES MODEL 140 & 420

A 06/03/10 CURTAIN TRACK SYSTEMS

DRAWN BY APPROVED BY DESCRIPTION 4201

DJL SINGLE CARRIER

SCALE 1=1 SHEET 1 OF 1 DWG NO. A-4201-1-10