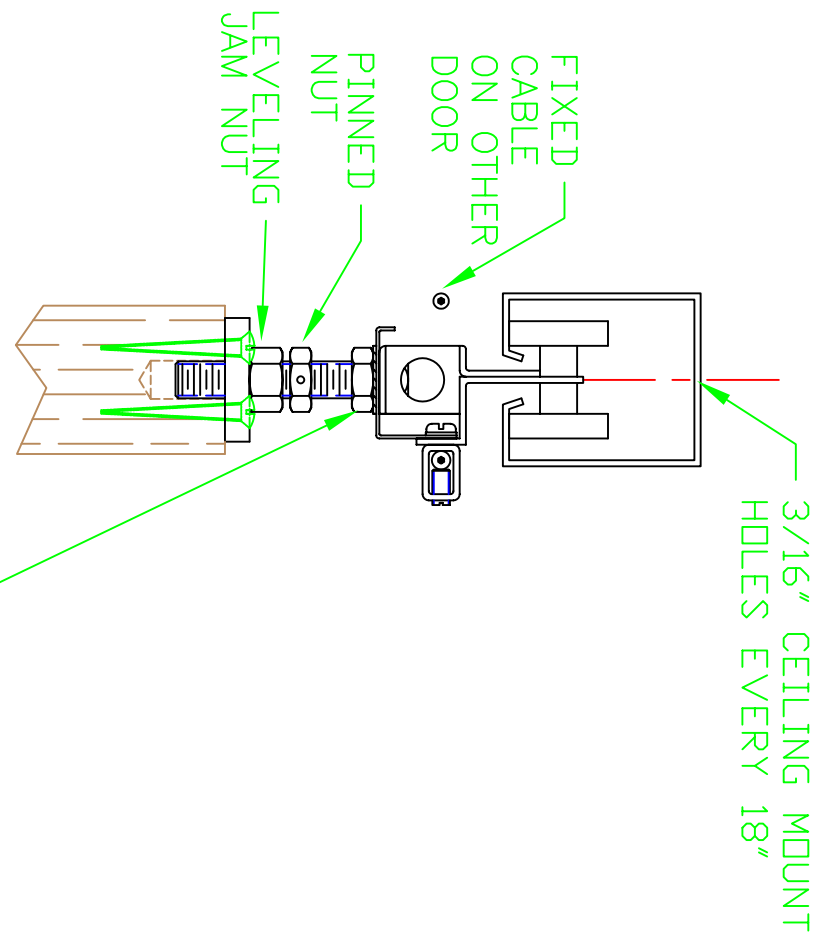


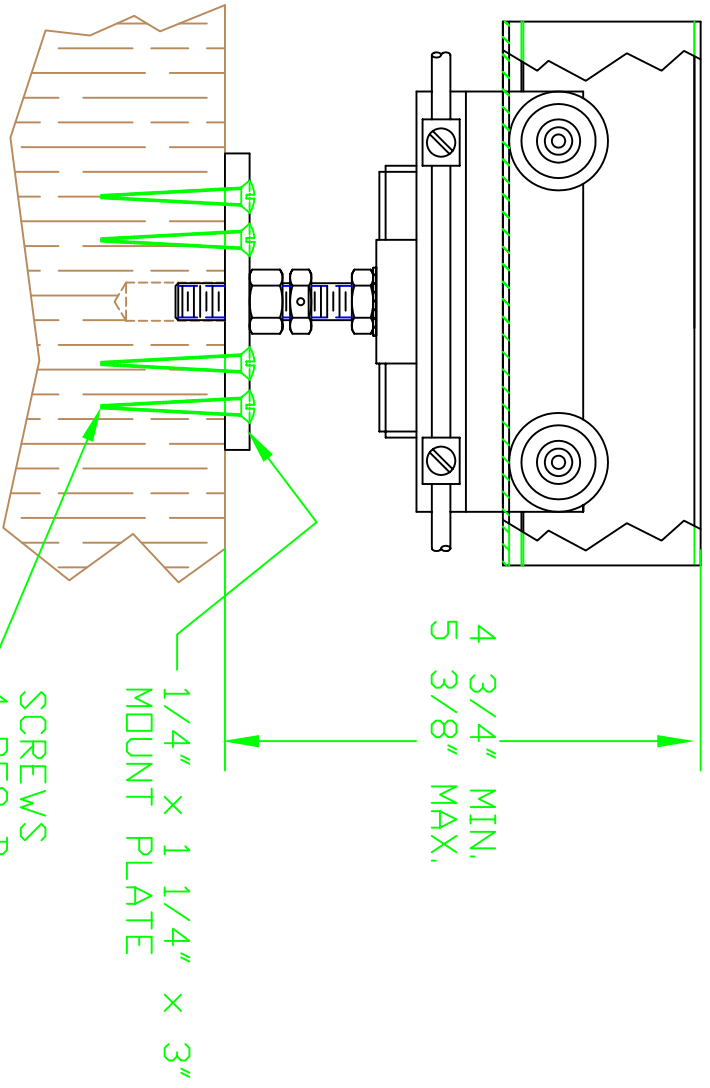
**AUTOMATIC DEVICES COMPANY**  
 2121 S. 12TH ST. ALLENTOWN, PA 18103

THIS DRAWING HAS BEEN PREPARED AS A SERVICE TO OUR CUSTOMER AND IS INTENDED ONLY TO BE SUGGESTIVE IN NATURE AND IS NOT TO BE USED AS AN ACTUAL INSTALLATION DRAWING. PREVAILING JOB CONDITIONS AND ACCEPTED PRACTICES MUST BE TAKEN INTO ACCOUNT WHEN THE EQUIPMENT IS INSTALLED.

SIZE	DATE	REV
A	02/22/10	
DRAWN BY DCH		
APPROVED BY		
DESCRIPTION SLIDING DOOR CARRIER FOR 170 TRACK		
SCALE 1/2"=1"	SHEET 1 OF 2	DWG NO. A-1751-1-10



LOWERING OF THIS JAM NUT DOWN TO THE PINNED NUT ALLOWS 3/8" BOLT TO SLIP OUT OF CARRIER



AUTOMATIC DEVICES COMPANY  
2121 S. 12TH ST. ALLENTOWN, PA 18103

THIS DRAWING HAS BEEN PREPARED AS A SERVICE TO OUR CUSTOMER AND IS INTENDED ONLY TO BE SUGGESTIVE IN NATURE AND IS NOT TO BE USED AS AN ACTUAL INSTALLATION DRAWING. PREVAILING JOB CONDITIONS AND ACCEPTED PRACTICES MUST BE TAKEN INTO ACCOUNT WHEN THE EQUIPMENT IS INSTALLED.

SIZE	DATE	REV
A	02/22/10	
DRAWN BY DCH		
APPROVED BY		
DESCRIPTION SLIDING DOOR CARRIER FOR 170 TRACK		
SCALE 1/2"=1"		
SHEET 2 OF 2		
DWG NO. A-1751-2-10		