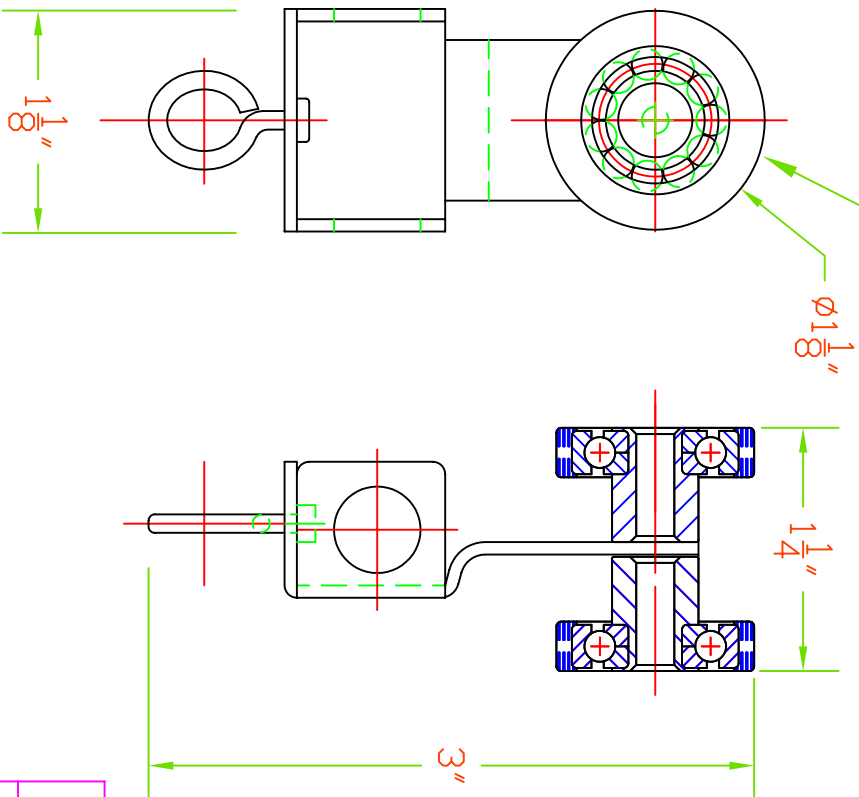


NYLON-TIRED  
BALL BEARING WHEEL  
(W043)



PLATED STEEL BODY  
NICKEL PLATED RIVET AND SWIVEL

THIS DRAWING HAS BEEN PREPARED AS A SERVICE TO OUR CUSTOMER AND IS INTENDED ONLY TO BE SUGGESTIVE IN NATURE AND IS NOT TO BE USED AS AN ACTUAL INSTALLATION DRAWING. PREVAILING JOB CONDITIONS AND ACCEPTED PRACTICES MUST BE TAKEN INTO ACCOUNT WHEN THE EQUIPMENT IS INSTALLED.

AUTOMATIC DEVICES COMPANY  
2121 S. 12TH ST. ALLENTOWN, PA 18103

SIZE	DATE	MODEL	REV
A	08/06/10	170 BESTEEL	
DRAWN BY	APPROVED BY	DESCRIPTION	
DJL		NYLON TIRRED BALL-BEARING SINGLE CARRIER	
SCALE 1" = 1"	SHEET 1 OF 1	DWG NO. A-1737-10	