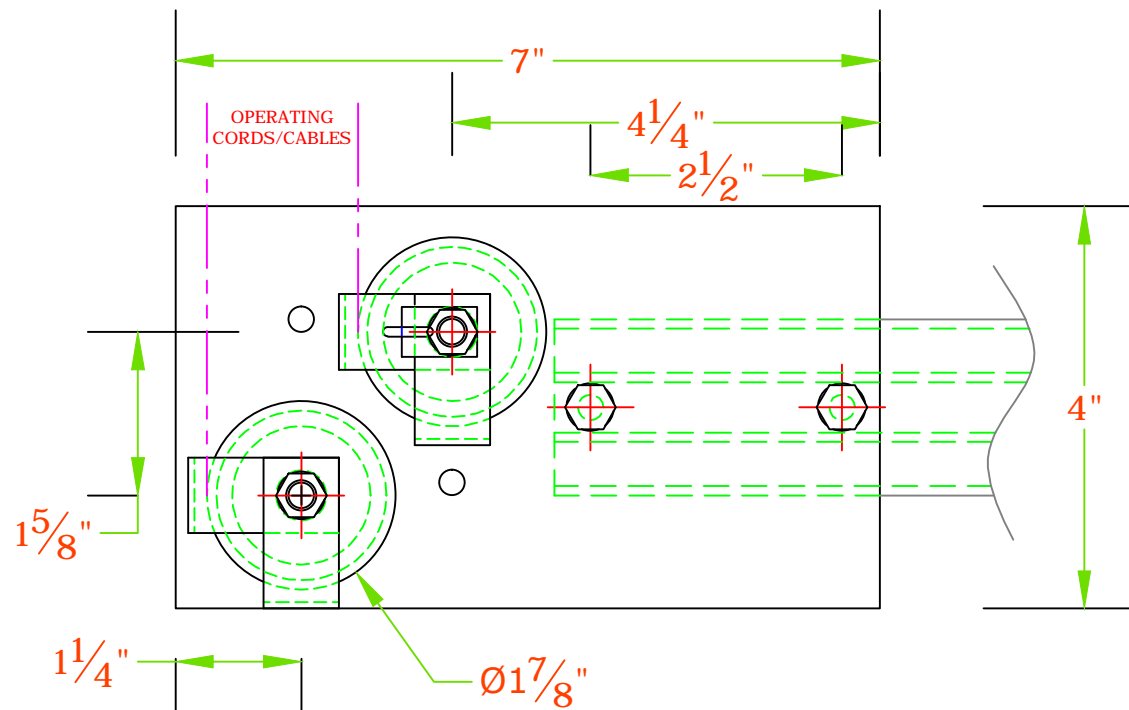
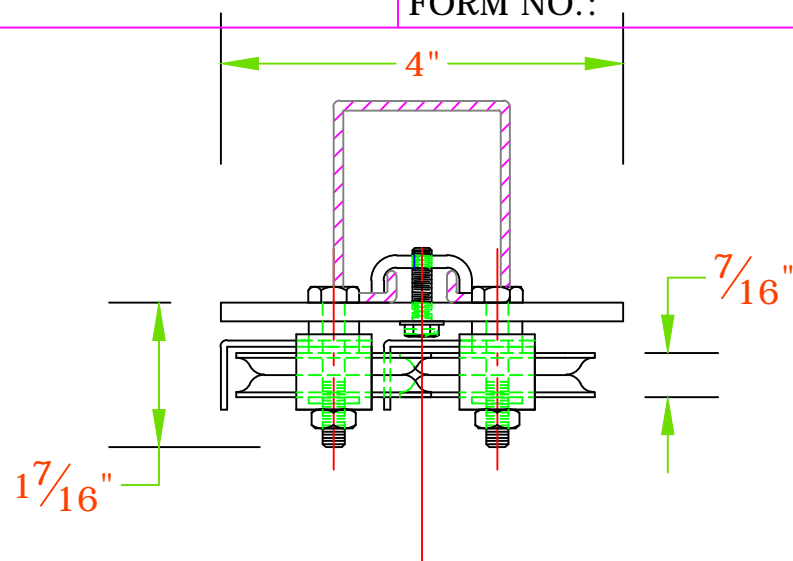
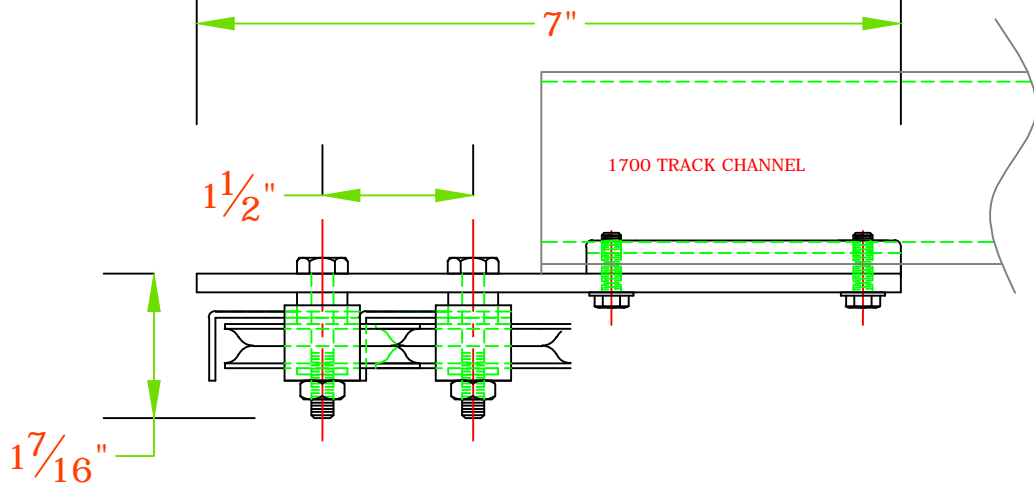


REV.

DATE:

FORM NO.:



THIS VIEW LOOKING UP AT TRACK
(NOT PLAN VIEW)

PAINTED STEEL CONSTRUCTION
STEEL WHEELS WITH BRONZE
SELF-LUBRICATING WHEELS
USE WITH MODEL 1700 TRACK ONLY

ROUTES OPERATING CABLES
PERPENDICULAR TO THE TRACK.

ADDITIONAL MULE SHEAVES MAY BE
REQUIRED.



AUTOMATIC DEVICES COMPANY
2121 S. 12TH ST. ALLENTOWN, PA 18103

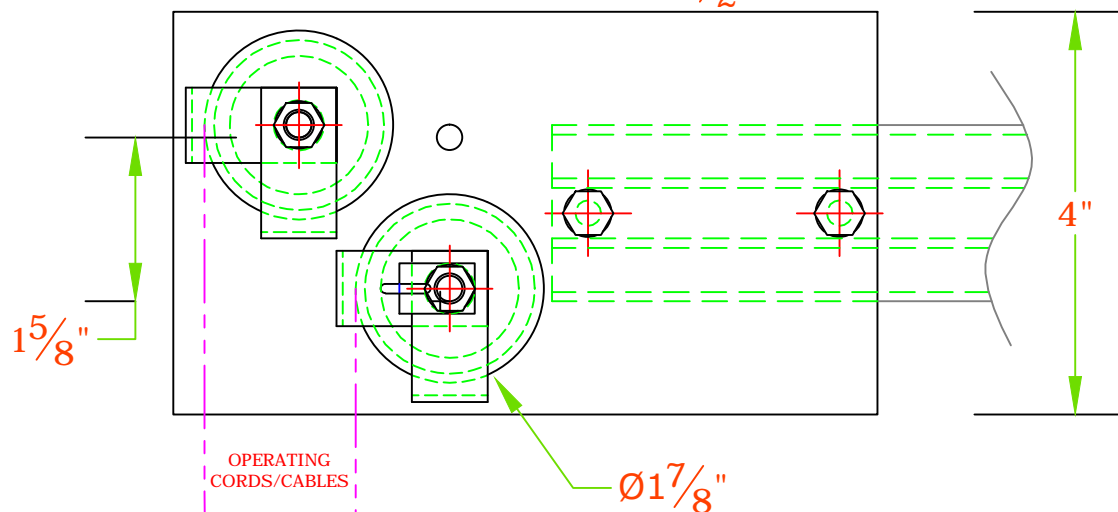
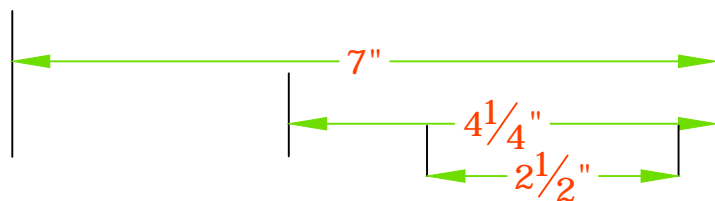
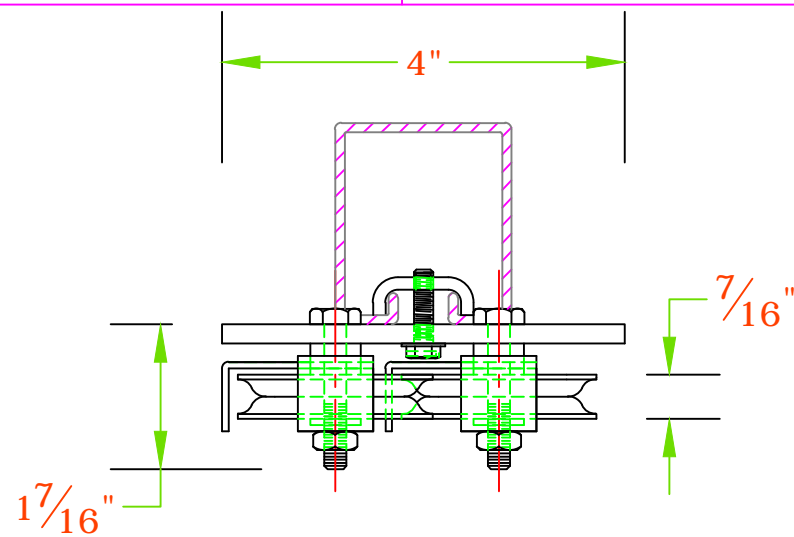
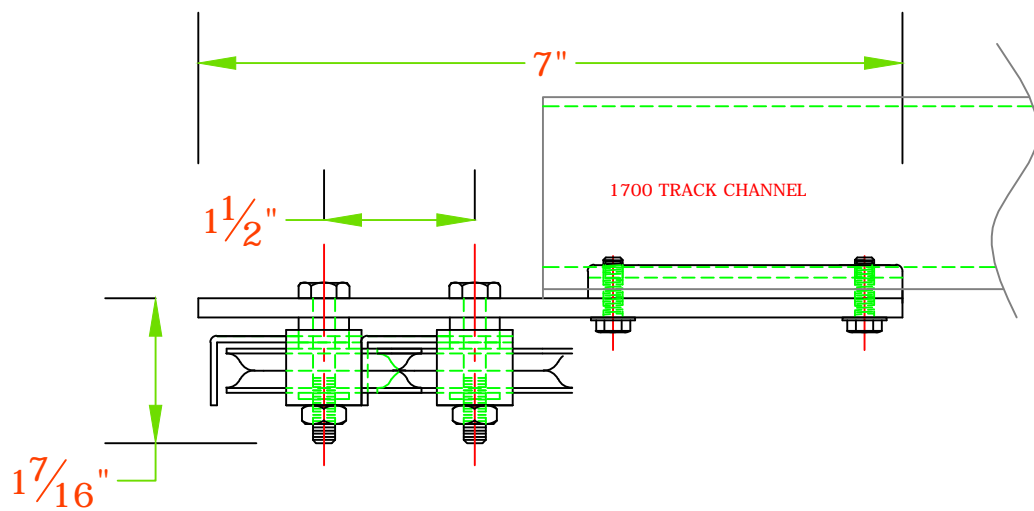
THIS DRAWING HAS BEEN PREPARED AS A SERVICE TO OUR CUSTOMER AND IS INTENDED ONLY TO BE SUGGESTIVE IN NATURE AND IS NOT TO BE USED AS AN ACTUAL INSTALLATION DRAWING. PREVAILING JOB CONDITIONS AND ACCEPTED PRACTICES MUST BE TAKEN INTO ACCOUNT WHEN THE EQUIPMENT IS INSTALLED.

SIZE	DATE	SERIES
A	11/18/11	1700 BESTEEL
DRAWN BY	APPROVED BY	DESCRIPTION
DJL		1703-H LEFT LIVE-END
SCALE	SHEET	DWG NO.
1/2:1	1 OF 1	A-1703HL-1-11

REV.

DATE:

FORM NO.:



THIS VIEW LOOKING UP AT TRACK
(NOT PLAN VIEW)

PAINTED STEEL CONSTRUCTION
STEEL WHEELS WITH BRONZE
SELF-LUBRICATING WHEELS
USE WITH MODEL 1700 TRACK ONLY

ROUTES OPERATING CABLES
PERPENDICULAR TO THE TRACK.

ADDITIONAL MULE SHEAVES MAY BE
REQUIRED.



AUTOMATIC DEVICES COMPANY
2121 S. 12TH ST. ALLENTOWN, PA 18103

THIS DRAWING HAS BEEN PREPARED AS A SERVICE TO OUR CUSTOMER AND IS INTENDED ONLY TO BE SUGGESTIVE IN NATURE AND IS NOT TO BE USED AS AN ACTUAL INSTALLATION DRAWING. PREVAILING JOB CONDITIONS AND ACCEPTED PRACTICES MUST BE TAKEN INTO ACCOUNT WHEN THE EQUIPMENT IS INSTALLED.

SIZE	DATE	SERIES
A	11/18/11	1700 BESTEEL
DRAWN BY	APPROVED BY	DESCRIPTION
DJL		1703-H RIGHT LIVE-END
SCALE	SHEET	DWG NO.
1/2:1	1 OF 1	A-1703HR-1-11