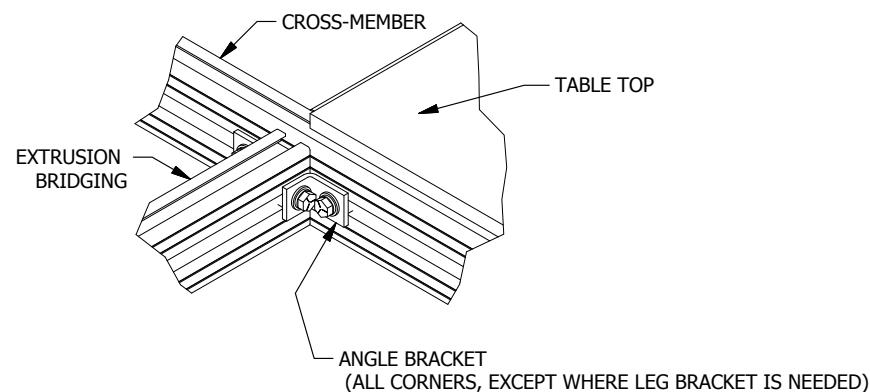


4

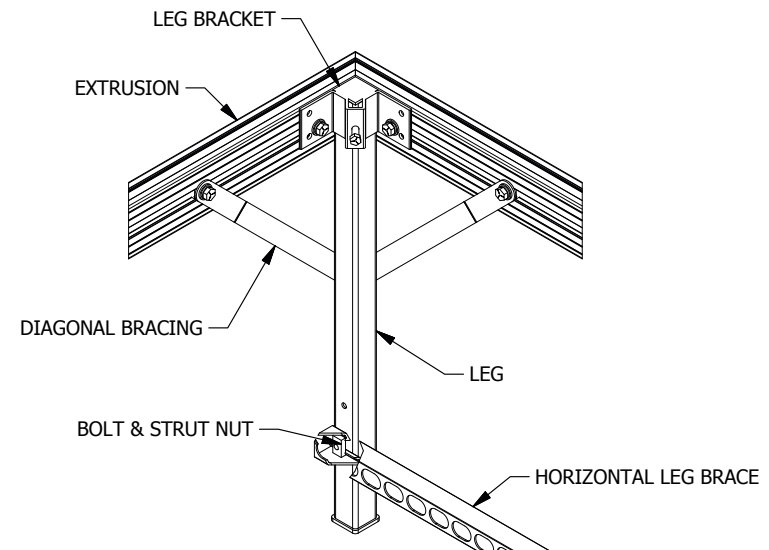
3

2

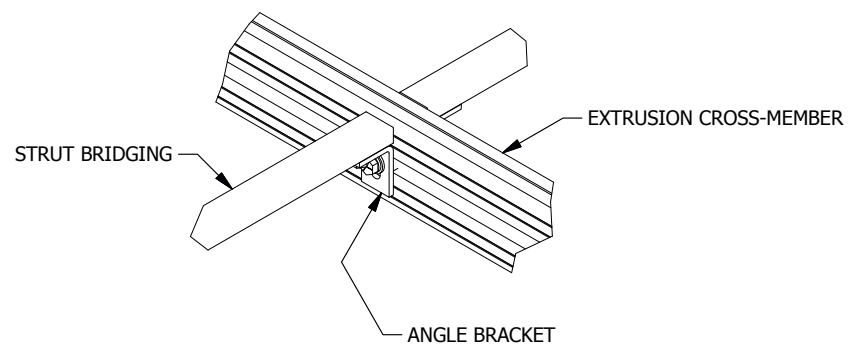
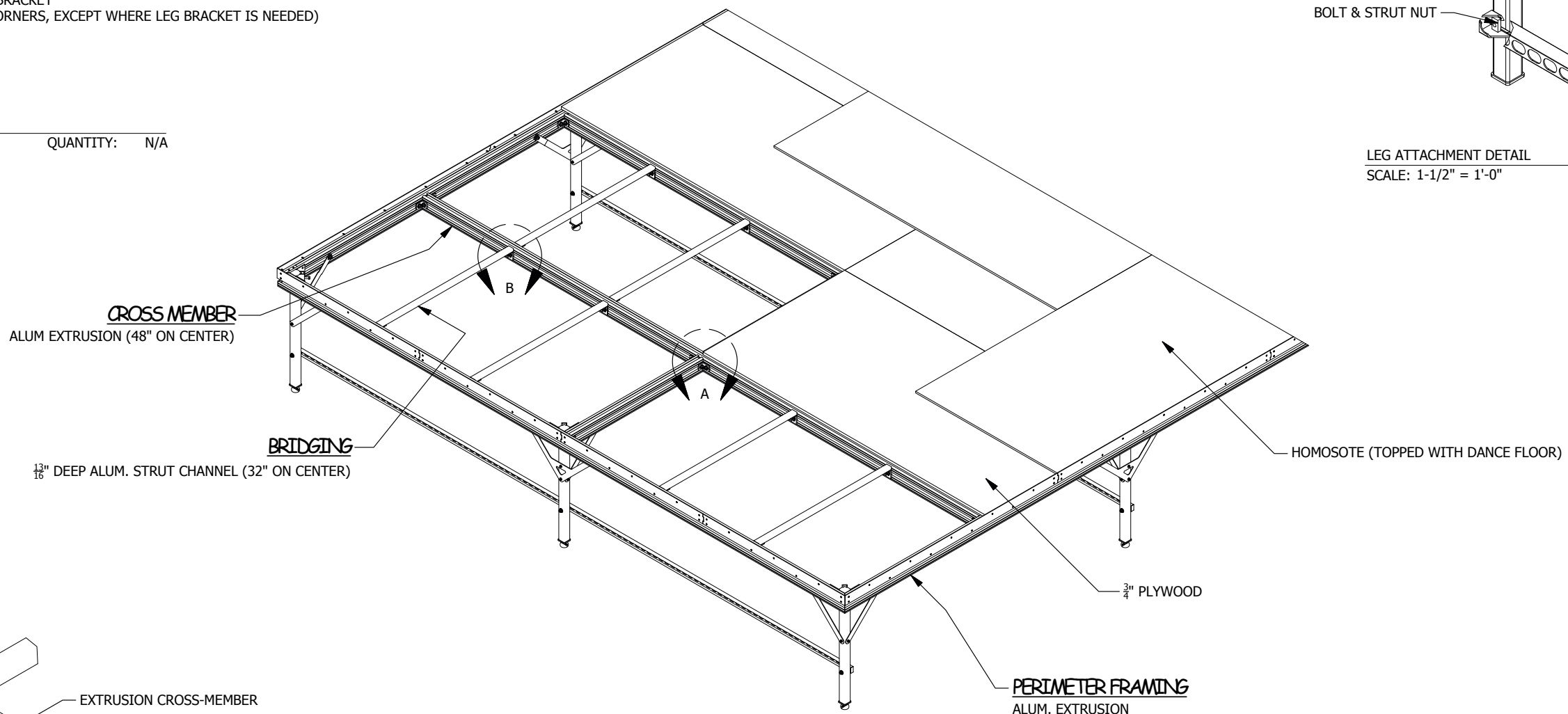
1



A CENTER BRIDGING DETAIL
SCALE: 1-1/2" = 1'-0" QUANTITY: N/A



LEG ATTACHMENT DETAIL
SCALE: 1-1/2" = 1'-0" QTY: N/A



B PERIMETER BRIDGING DETAIL
SCALE: 1-1/2" = 1'-0" QUANTITY: N/A

This drawing represents visual concepts and construction suggestions only. Please review construction methods and material details for suitability. Final approval is required before construction can begin. Please contact Rose Brand to discuss alterations to the project.



PO BOX 1536 SECAUCUS, NJ 07096
800-223-1624 RoseBrand.com

All Dimensions in Inches (in) unless stated otherwise.
Tolerances:
.X = ±0.2 X/X = ± 1/16"
.0X = ±0.01 < = ± 1/2"
.00X = ±0.005
.000X = ±0.0005
Unless stated otherwise.

| | | | | | | | |
|-----------------|------------|---------------------------|-----------|--------------|--|---------------|--|
| CLIENT | | ROSE BRAND | | PROJECT | | CUTTING TABLE | |
| TITLE | | | | | | | |
| OVERVIEW | | | | | | | |
| MATERIAL | FINISH | DRWG NO | REV | SIZE | | | |
| N/A | N/A | RB-Cutting Table Overview | | B | | | |
| QUANTITY | SCALE | DRAWN BY | DATE | Sheet 1 of 1 | | | |
| 1 | 1/2"=1'-0" | DG | 7/14/2016 | | | | |

4

3

2

1

