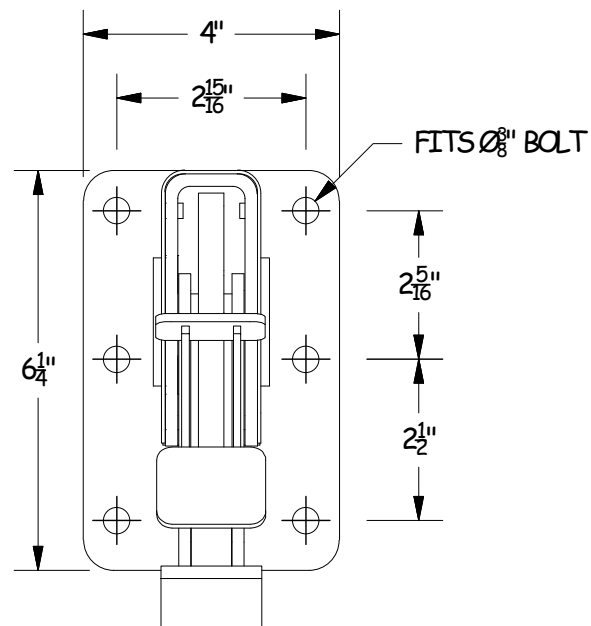
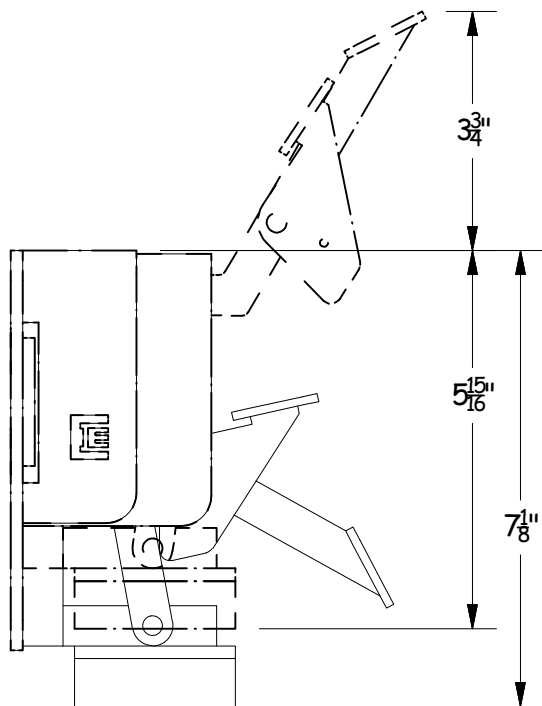
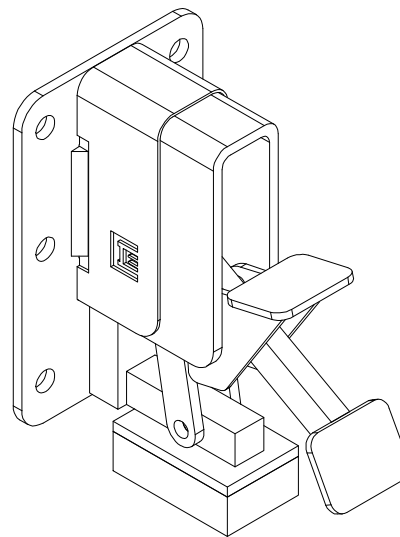
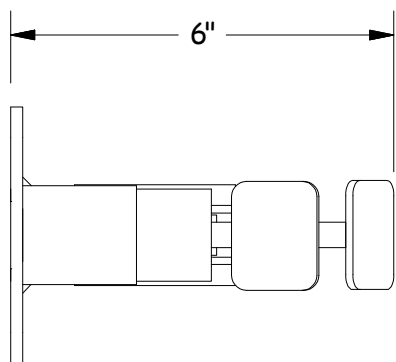


2



1



B

B



A

A

This drawing represents visual concepts and construction suggestions only. Please review construction methods and material details for suitability. Final approval is required before construction can begin. Please contact Rose Brand to discuss alterations to the project.



ROSE BRAND

PO BOX 1536 SECAUCUS, NJ 07096

800-223-1624 RoseBrand.com

All Dimensions in Inches (in) unless stated otherwise.

Tolerances:

X = ±0.2 X/X = ± 1/16"
.0X = ±0.01 < = ± 1/2"
.00X = ±0.005
.000X = ±0.0005

Unless stated otherwise.

CLIENT		ROSE BRAND		PROJECT		REFERENCE FILE	
TITLE							
<h2>UNI JACK</h2>							
SIZE	DWG NO					REV	
A	UJA3						
SCALE	4" = 1'-0"	DRAWN BY	DG	DATE	7/26/2017	Sheet 1 of 1	

2



1