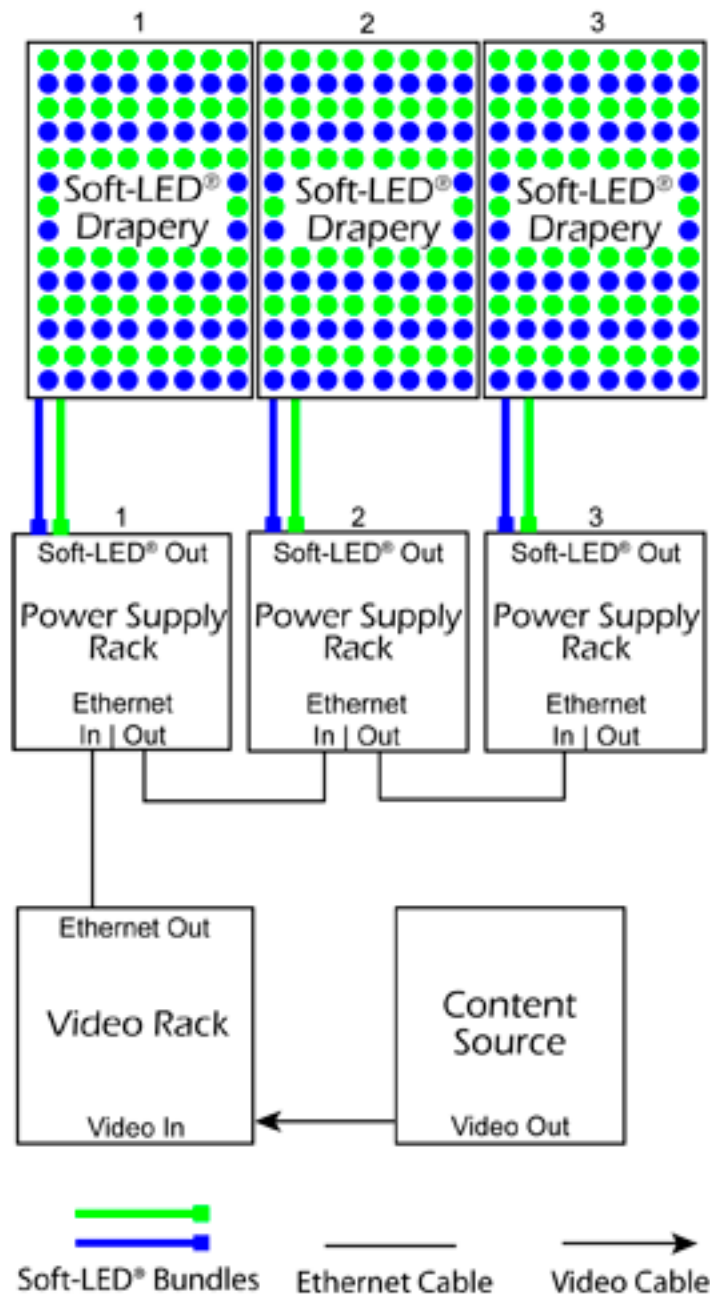



Soft-LED® Sample System Diagram



Distributed in North America by

 **ROSE BRAND** NY (800) 223 - 1624 CA (800) 360 - 0506 www.rosebrand.com