

2

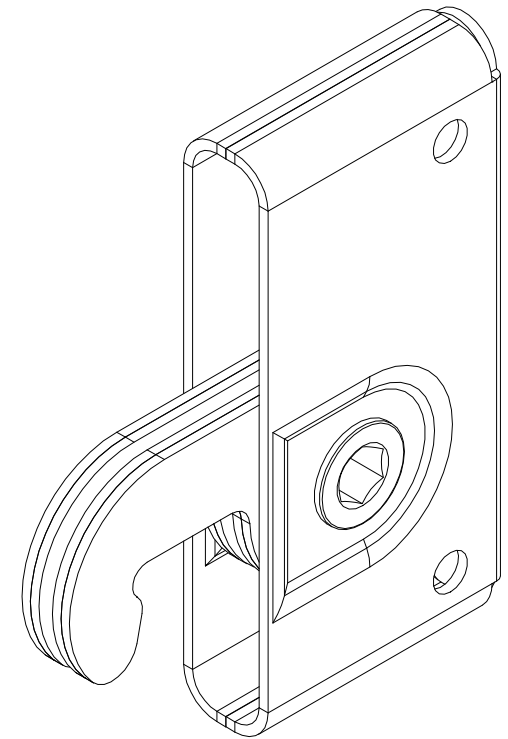
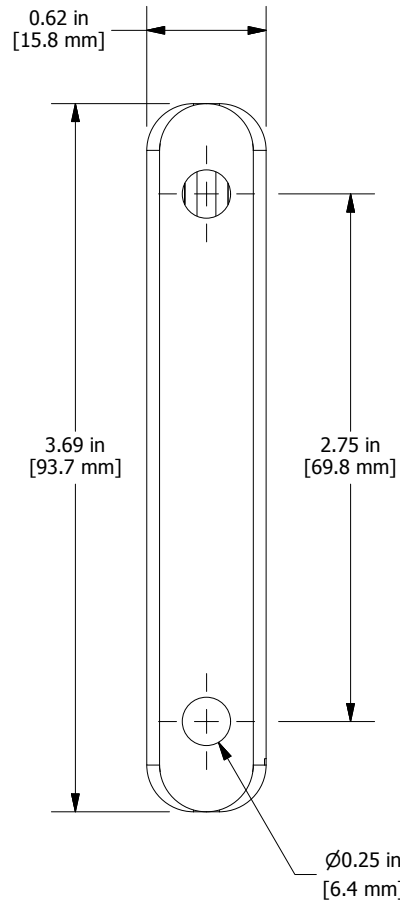
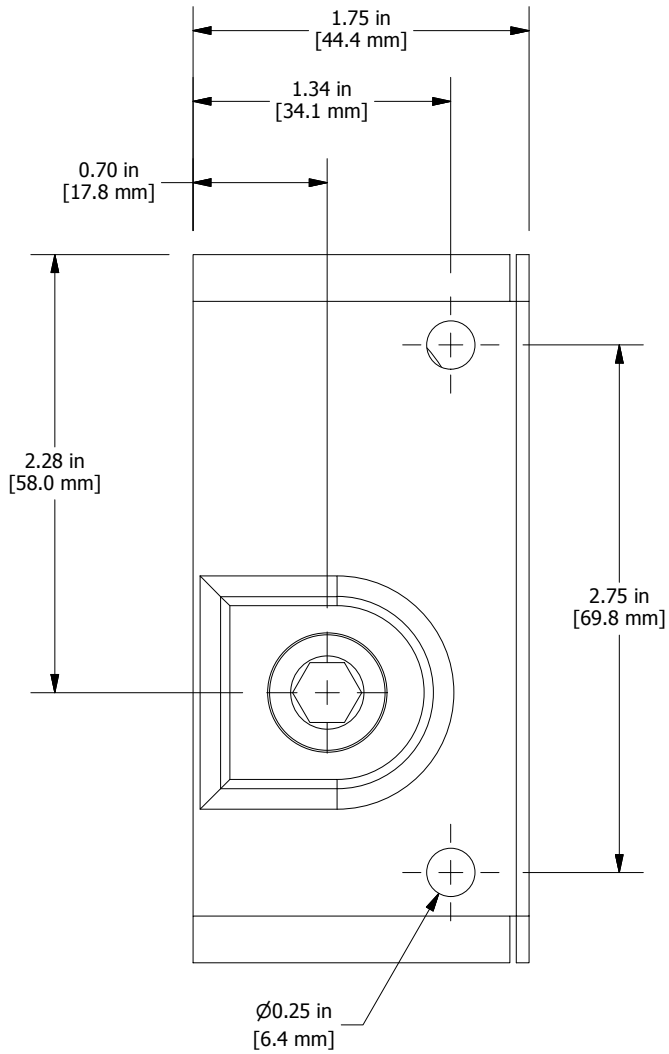
1

B

B

A

A



This drawing represents visual concepts and construction suggestions only. Please review construction methods and material details for suitability. Final approval is required before construction can begin. Please contact Rose Brand to discuss alterations to the project.



PO BOX 1536 SECAUCUS, NJ 07096
800-223-1624 RoseBrand.com

All Dimensions in Inches (in) unless stated otherwise.

Tolerances:

- X = ±0.2
- .0X = ±0.01
- .00X = ±0.005
- .000X = ±0.0005
- XX = ± 1/16"
- < = ± 1/2"

Unless stated otherwise.

CLIENT ROSE BRAND		PROJECT REFERENCE FILE	
TITLE DUAL-LOCK BUTT-JOINT LATCH MALE			
DWG NO. HWDU0002	REV	SIZE A	
SCALE FULL	DRAWN BY DG	DATE 4/25/2016	Sheet 1 of 1

2

1

